

# ULTRASEAL SYSTEM BUILD-UP



## BALCONY WATERPROOFING

### SUBSTRATE CONDITIONS & PREPARATION

#### SUBSTRATE

It is recommended that concrete surfaces cure for a minimum of 28 days, to allow for sufficient moisture dissipation before preparation and application commences.

All concrete surfaces should be visually inspected to identify any detrimental defects that may require remedial action. Defects may include physical damage, exposed aggregates, cracks, spalling, honeycombs and contamination.

#### SAND/CEMENT SCREEDS

Although the specified waterproofing system is unaffected by ponding water, it is recommended to have a minimum screed to fall of 1:200, applicable for monolithic waterproofing systems. Screeds must be free of contaminants, protrusions, voids and must be sufficiently cured.

#### SUBSTRATE PREPARATION

Laitance on new concrete surfaces need to be mechanically removed to ensure adhesion of the waterproofing system. Steel floated surfaces will require a first stage grind to create an anchor profile for sufficient adhesion of the waterproofing system.

#### WALL TO FLOOR JOINTS

All 90° corners must receive a 45° sand/cement or a high density polyurethane foam fillet. External corners should be rounded to avoid applications on sharp edges.

Estimate price/M<sup>2</sup>: R

### PRODUCT SELECTION & APPLICATION

#### **BALCONY WATERPROOFING - EXPOSED**

The application of the **Nucote MT** primer system, to the prepared substrate, should be done by Squeegee, brush or roller at 200 – 250µm.

#### **WATERPROOFING APPLICATION**

Apply 2 – 3 coats of **Ultraseal Brush**, two component, 100% Volume solids Polyurethane system, to achieve a final thickness of minimum 2 – 3 mm.

#### **UV STABLE TOP COAT**

Apply a single coat of **Nucote UVC**, two component vinyl reinforced urethane aliphatic system, using a brush, roller or airless roller or airless spray at 50-100µm.

# ULTRASEAL SYSTEM BUILD-UP



## BALCONY WATERPROOFING

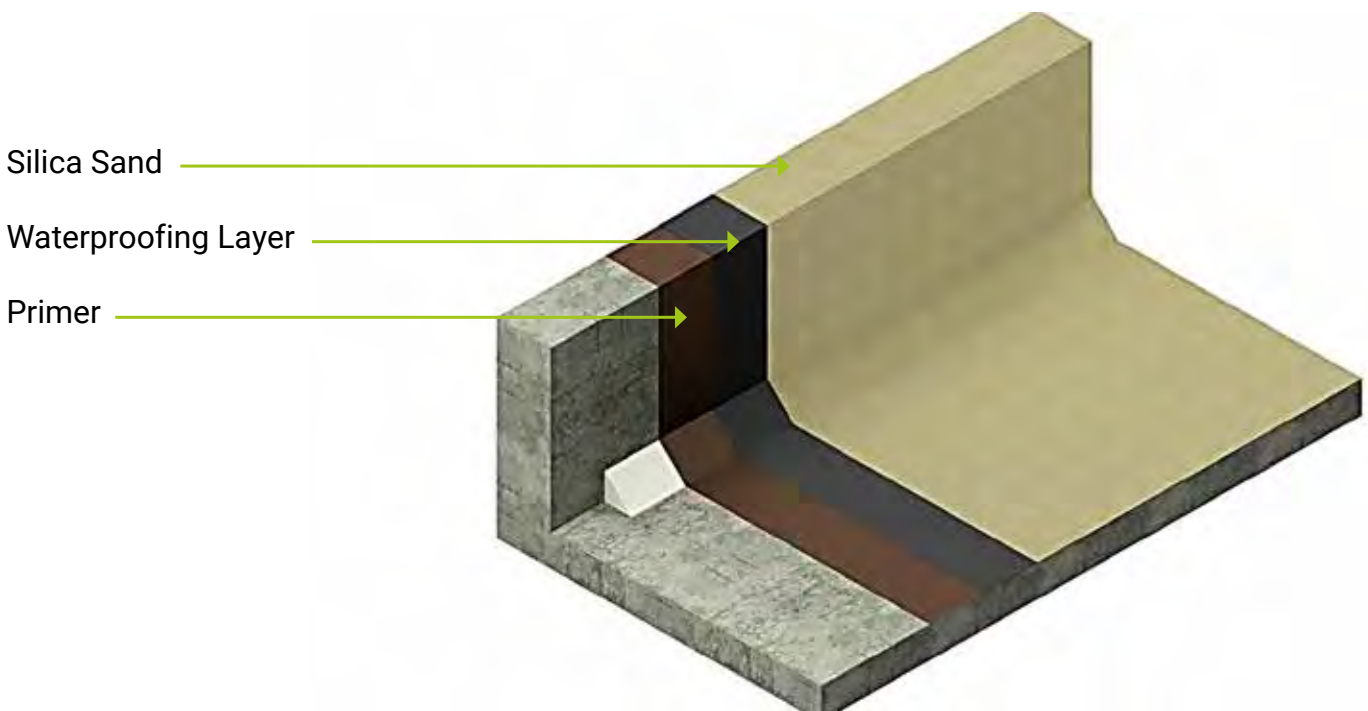
### **BALCONY WATERPROOFING - UNDER TILES**

If tiling is going to be installed on top of the waterproofing, the aliphatic coating may be voided. The application of the **Nucote MT** primer system, to the prepared substrate, should be done by Squeegee, brush or roller at 200 – 250µm.

### **WATERPROOFING APPLICATION**

Apply 2 – 3 coats of **Ultraseal Brush**, two component, 100% Volume solids Polyurethane system, to achieve a final thickness of minimum 2 – 3 mm.

During the final coat of **Ultraseal Brush**, whilst wet, broadcast 0.8-1.2mm silica sand evenly over the wet Polyurethane surface. Once cured, tile over as per architect's specification.



Manufactured by NUI – Member of the RIGIFoam Group

[www.ultraseal.co.za](http://www.ultraseal.co.za)  
[www.rigifoam.co.za](http://www.rigifoam.co.za)  
+27 (0)11 421 0313



DISAVOWAL: The customer acknowledges and understands that after delivery, the goods will have left the control of Rigifoam (Pty) Ltd, and that the customer will be responsible for the unpacking of and connection/installation of the goods. The customer acknowledges that it is his/her further responsibility to ensure that a fully qualified and competent person is used to install the goods to ensure their effective operation. Failure by the customer to ensure the installation of the goods, according to the written instructions of the manufacturer and/or supplier, by a fully qualified and competent person, may result in the failure of the goods, injury, loss or damages to the customer. Accordingly, and in this event, Rigifoam (Pty) Ltd accepts no responsibility for any loss or damages that might arise by reason of death or personal injury to any person engaged in the installation or use of the goods thereafter, subject to the provisions of the Consumer Protection Act 68 of 2008.